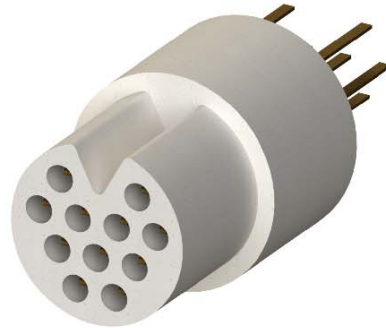


NANO 360[®] Plastic

Nano Circular Straight Thru-Hole Tail



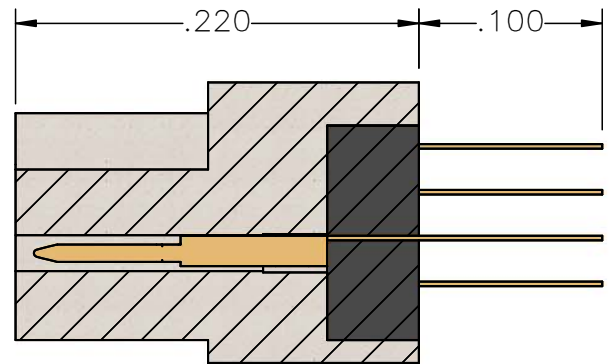
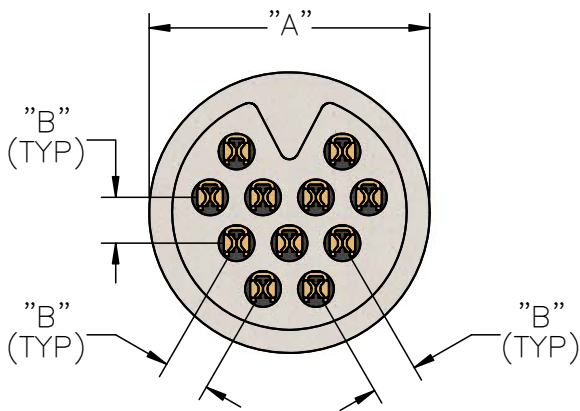
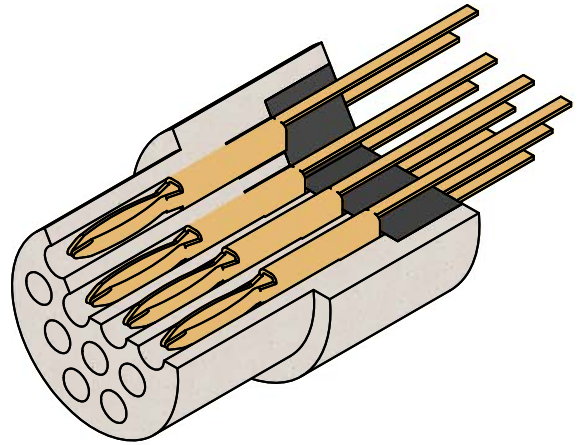
Electrical-Mechanical Specifications

- Operating Temperature: _____ -55°C to 125°C
- Dielectric Withstand Voltage: _____ 250 VAC RMS @sea level
- Contact Resistance: _____ 71 milliohms(71 mV) Max @1 Amps
- Current Rating: _____ 1 Amps per contact
- Durability: _____ >2000 Mating Cycles min
- Insulation Resistance: _____ 5000 megohms @ 100 VDC
- Shock: _____ 100 g's with no discontinuities > 10 nanosecond
- Vibration: _____ 20 g's with no discontinuities > 10 nanosecond
- Thermal Vacuum Outgassing (Space Class): _____ 1.0% max TML, 0.03% max CVCM
- Mating/Unmating Force: _____ 2.5 oz (71 g) typical per contact

Material Specifications

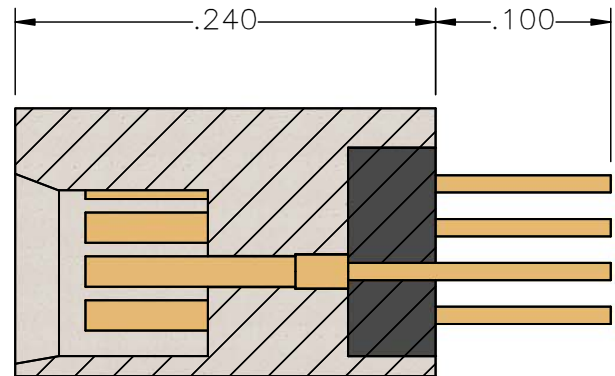
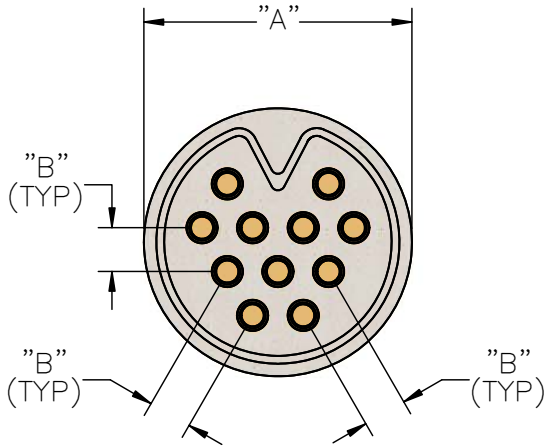
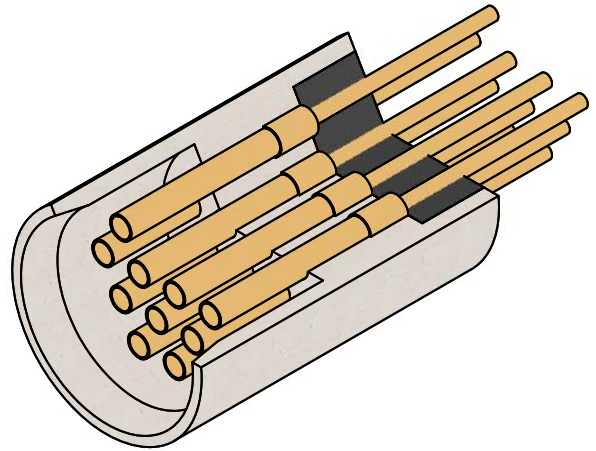
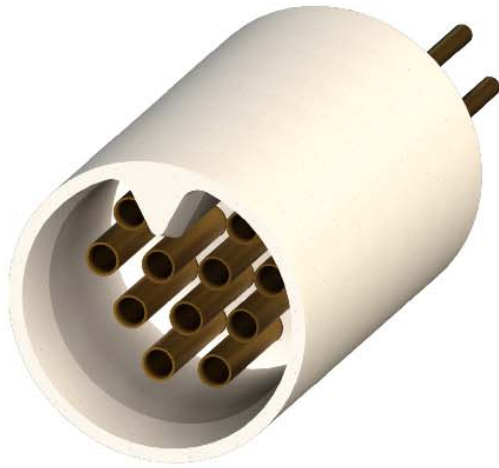
- Contact: _____ Copper Alloy per MIL-DTL-32139
- Contact Finish: _____ Gold per ASTM B488, Type II, Class 1.27, Code C
Over Nickel Underplate
- Insulator: _____ Thermoplastic per MIL-M-24519

Plastic - Pin - Straight Tail NCP-DD



Part #	Contacts	English (IN)		Metric (MM)	
		A	B	A	B
A79108-001	6	0.122	0.025	3.10	0.64
A79110-001	11	0.153		3.89	
A79112-001	16	0.181		4.60	
A79114-001	28	0.217		5.51	
A79122-001	39	0.305	0.035	7.75	0.89

Plastic - Socket - Straight Tail NCS-DD



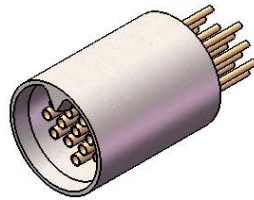
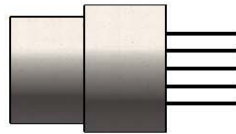
Part #	Contacts	English (IN)		Metric (MM)	
		A	B	A	B
A79109-001	6	0.122	0.025	3.10	0.64
A79111-001	11	0.153		3.89	
A79113-001	16	0.181		4.60	
A79115-001	28	0.217		5.51	
A79123-001	39	0.305	0.035	7.75	0.89

NANO CIRCULAR STRAIGHT THRU-HOLE TAIL (TYPE DD)

Series	# of Contacts	Termination Type	Options
NC	6 11 16	DD: Straight Thru-Hole	RH RoHS COMPLIANT
Male (P - Pin)	28 39		



Female
(S - Socket)



EXAMPLE:
NCP-16-DD-RoHS

